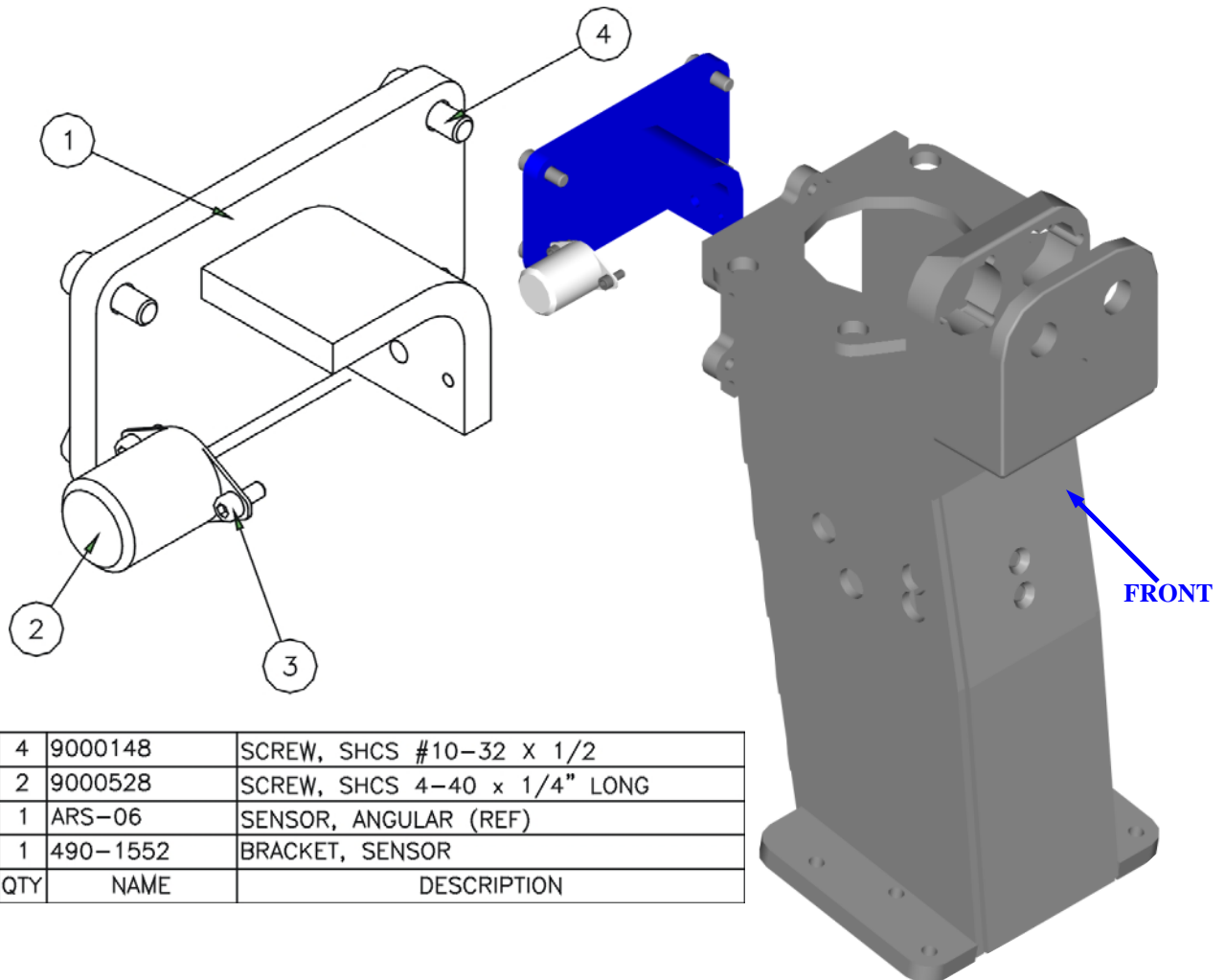




**SPINE ACCELEROMETER/GYRO ASSEMBLY
MOUNT for Hybrid III 50M
Model 78051-156R Assembly**

INTRODUCTION

The Model 78051-156R Assembly mount package is designed to allow measurements of thorax rotation in a Hybrid III 50th dummy for FMVSS-202a testing. It enables the ATA Gyro Sensor Models ARS-06 or ARS-O6S to be mounted in the Hybrid III 50th spine box.



4	4	9000148	SCREW, SHCS #10-32 X 1/2
3	2	9000528	SCREW, SHCS 4-40 x 1/4" LONG
2	1	ARS-06	SENSOR, ANGULAR (REF)
1	1	490-1552	BRACKET, SENSOR
ITEM	QTY	NAME	DESCRIPTION