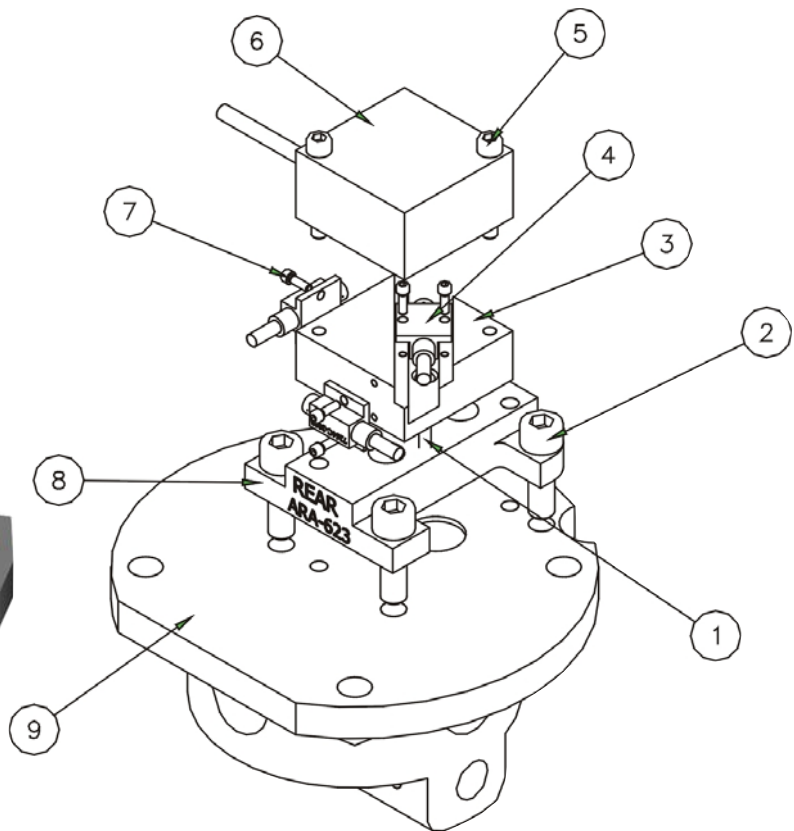
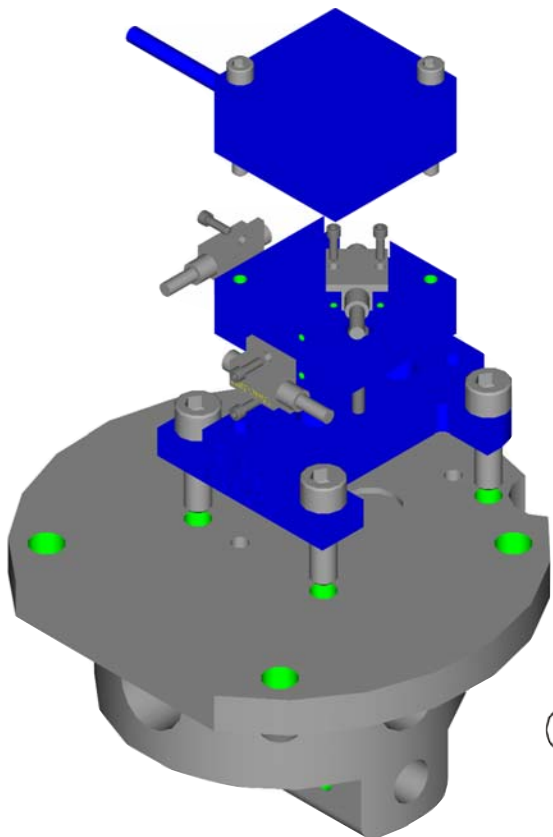




# HEAD ACCELEROMETER/GYRO ASSEMBLY MOUNT for BioRID Model ARA-624

## INTRODUCTION

The ARA-624 mount package is designed to allow measurement of the head rotation in a BioRID dummy. It allows IES 3103 Gyro sensors to be mounted in the BioRID head along with Endevco 7264-2000 or 7264C-2000 accelerometers or Measurement Specialties 64-2000 accelerometers. This mount system is designed to be a direct replacement for the standard BioRID accelerometer mounts without re-ballasting of the head assembly.



9	1	B-4956	NECK TRANSDUCER (REF)
8	1	ARA-623	MOUNTING BLOCK
7	6	9005089	SCREW, SHCS #0-80 X 3/16(REF)
6	1	IES3103	3-AXIS GYRO SENSOR(REF)
5	2	9009290	SCREW, SHCS #4-40 X 3/4
4	3	7264C-2000	ACCELEROMETER (REF)
3	1	ARA-622	BLOCK, ACCELEROMETER
2	4	9005032	SCREW, SHCS #10-24 x 5/8
1	2	9000531	SCREW, SHCS #2-56 x 5/8
ITEM	QTY	NAME	DESCRIPTION