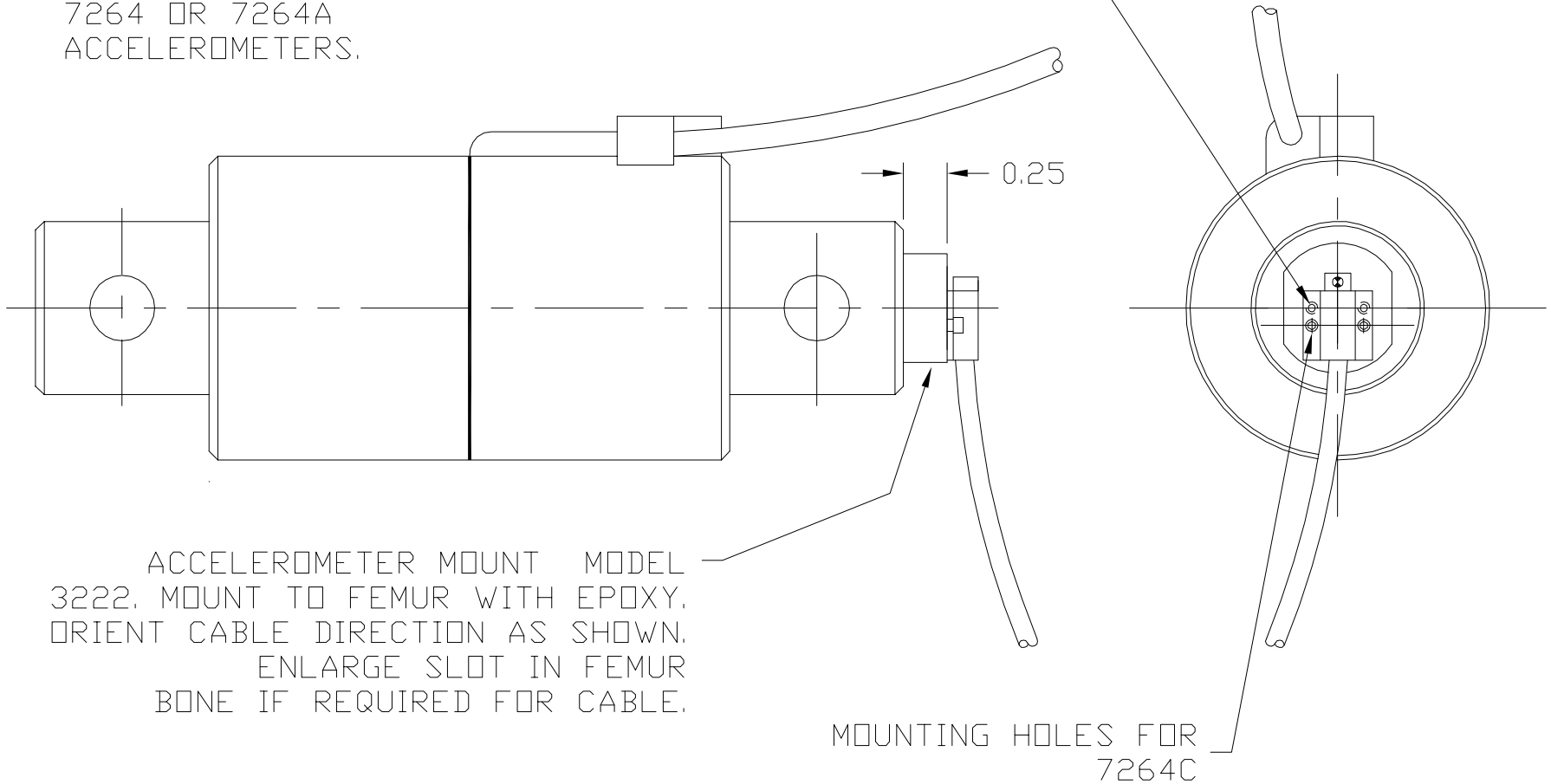


ACCELEROMETER MOUNT
ACCEPTS ENDEVCO
7264 OR 7264A
ACCELEROMETERS.

MOUNTING HOLES FOR
7264A/B



ACCELEROMETER MOUNT MODEL
3222. MOUNT TO FEMUR WITH EPOXY.
ORIENT CABLE DIRECTION AS SHOWN.
ENLARGE SLOT IN FEMUR
BONE IF REQUIRED FOR CABLE.

MOUNTING HOLES FOR
7264C

FEMUR LOAD CELL ACCELEROMETER MOUNT

SCALE: FULL

DRAWN BY: C.R.MORGAN

DATE: 26MARCH96

MODEL: 3522

UNLESS OTHERWISE SPECIFIED
TWO PLACE DECIMALS ± .010 SURFACE FINISH 125 ✓
THREE PLACE DECIMALS ± .005 REMOVE ALL BURRS & SHARP EDGES
ANGLES ± 0° 30' DIMENSION LIMITS HELD AFTER PLATING

A ACC. ORIENTATION

02 JAN06
CRM

SYM

REVISION

DATE



ROBERT A. DENTON, INC.

INTL.

ROCHESTER HILLS, MICHIGAN

DRAWING NUMBER:

A-3522-D