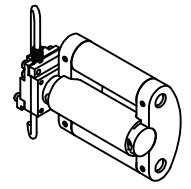
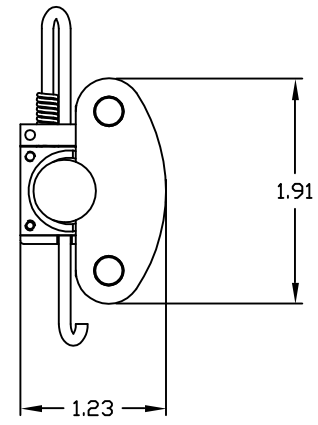
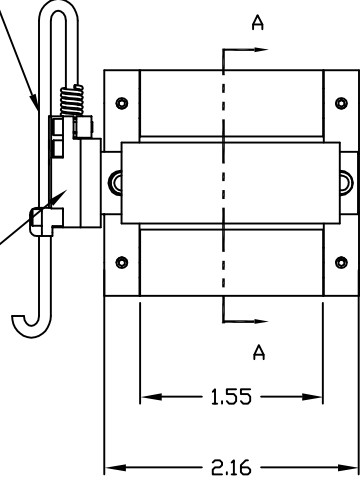
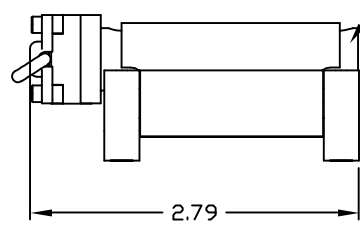


CABLE:
4 CONDUCTOR
SHIELDED
TEFLON
INSULATION.

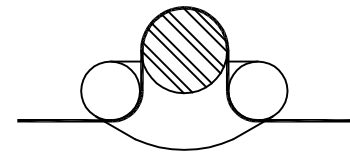
CABLE STRAIN RELIEF
SOLDER POSTS ALLOW
USER REPLACEMENT
OF CABLE.



REMOVE SENSOR ELEMENT
FROM PINS TO INSTALL BELT.



WEBBING LOAD CELL
CAPACITY 1000 LBS.
OUTPUT 1.9 mv/V
WEIGHT APPROX. .30 LBS.
NONLINEARITY < 1.5% OF FULL SCALE
HYSTERESIS < 1.5% OF FULL SCALE



SEC A-A
BELT PATH

1 1/2" SEAT BELT

SCALE: 2X		DRAWN BY: C.BEAD
DATE: 17APRIL01		MODEL: 5155
TWO PLACE DECIMALS ± .010	UNLESS OTHERWISE SPECIFIED SURFACE FINISH 125	REMOVE ALL BURRS & SHARP EDGES DIMENSION LIMITS HELD AFTER PLATING
THREE PLACE DECIMALS ± .005		
ANGLES ± 0° 30'		
ROBERT A. DENTON, INC. ROCHESTER HILLS, MICHIGAN		DRAWING NUMBER: B-5155-D