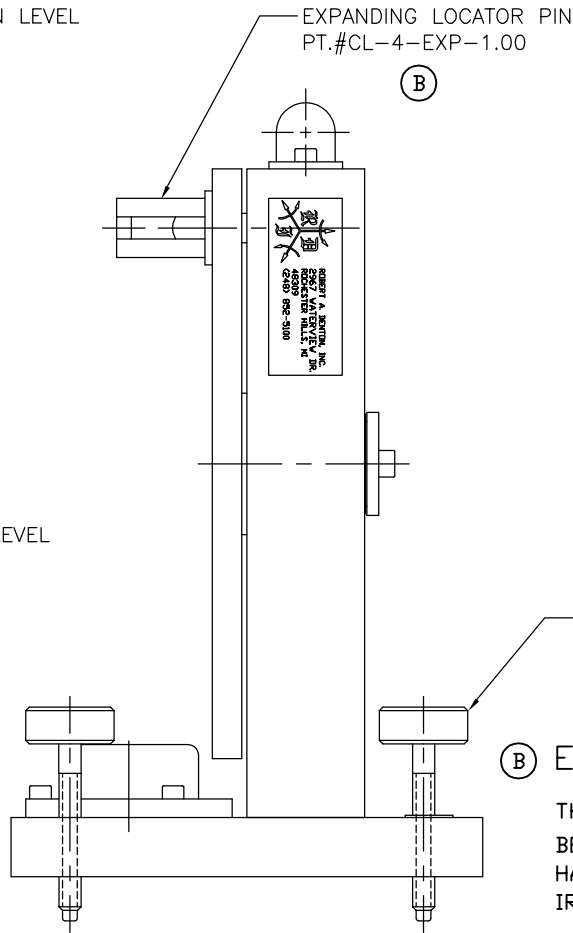


PRECISION LEVEL

COURSE LEVEL

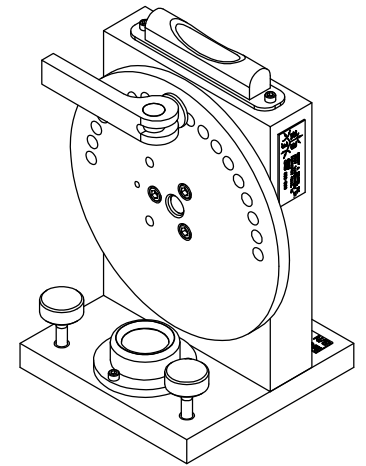
10° TYP.



EXPANDING LOCATOR PIN
PT.#CL-4-EXP-1.00

(B)

LEVELING FEET



(B) EXPANDING PIN NOTICE!

THIS PIN MUST BE FULLY INSERTED BEFORE ACTIVATING THE LOCKING HANDLE. FAILURE TO DO SO WILL CAUSE IRREVOCABLE DAMAGE TO THE PIN.

INCLINOMETER CALIBRATION FIXTURE
FOR MODEL 5497 INCLINOMETER

SCALE: 1 : 1
DATE: 3/22/02

SHEET 1 OF 1

DRWN BY: TORCHALA
MODEL: 5560

B	NEW EXPANSION PIN/CAUTION	12/04	1522	M.C.F.
A	TEXT REV.	8/02	XXXX	CRM
SYM	REVISION	DATE	CAR#	INIT.

UNLESS OTHERWISE SPECIFIED
TWO PLACE DECIMALS ± 0.010 SURFACE FINISH 125 ✓
THREE PLACE DECIMALS ± 0.005 REMOVE ALL BURRS & SHARP EDGES
ANGLES ± 0' 30" DIMENSION LIMITS HELD AFTER PLATING

ROBERT A. DENTON, INC.
ROCHESTER HILLS, MICHIGAN

DRAWING NUMBER:
B-5560-D