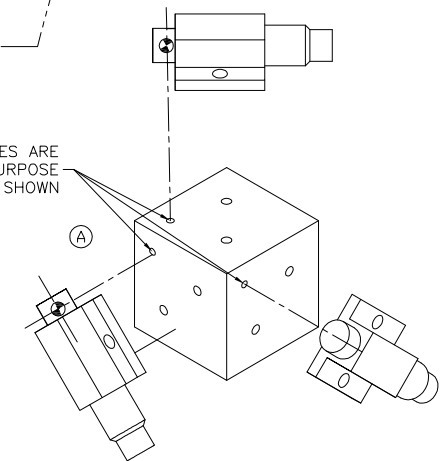


NOTE: DETENTS IN CUBES ARE
FOR ACCELEROMETER ORIENTATION PURPOSE
ALIGN ACCEL TO CUBE DETENT AS SHOWN



NOTES:

1. DIMENSIONS GIVEN ARE FOR ENDEVCO 7264-2000 AND 7264C-2000 ACCELEROMETERS ONLY.
2. THE TOP, FRONT, LEFT AND REAR MOUNTS ARE INTERCHANGEABLE.
3. POSITION ACCURACY OF BLOCKS IN HEAD ± 0.05
4. POSITION ACCURACY OF SEISMIC MASS WITHIN ACCELEROMETER ± 0.03 (PER ENDEVCO SPEC.)
5. CENTER OF GRAVITY (C-G) LOCATIONS PER DRAWINGS 127-1000 AND 127-0000 FOR HYBRID III TEST DUMMY HEAD
6. CUSTOMER SUPPLIED SKULL MUST HAVE C-G ADJUSTED BY DENTON ATD AFTER ADDING INTERFACE PLATE PART #5634
7. MODEL 5640 CONSISTS OF THE FOLLOWING: MOUNT & PLATE ATTACHMENT SCREWS
(1) INTERFACE PLATE 5634
(1) 3-CHANNEL MOUNT 1778
(4) 3-CHANNEL MOUNT 1777
8. ACCELEROMETERS ARE NOT INCLUDED.

ACCELEROMETER HEAD MOUNT (HIII 6C)
FOR ENDEVCO 7264-2000 & 7264C-2000

SCALE: 1 : 1 SHEET 1 OF 1 DRWN BY: TORCHALA
DATE: 6/10/02 MODEL: 5640

UNLESS OTHERWISE SPECIFIED
TWO PLACE DECIMALS ± 0.010 SURFACE FINISH 125 ✓
THREE PLACE DECIMALS ± 0.005 REMOVE ALL BURRS & SHARP EDGES
ANGLES $\pm 0' 30''$ DIMENSION LIMITS HELD AFTER PLATING

ROBERT A. DENTON, INC. DRAWING NUMBER:
ROCHESTER HILLS, MICHIGAN C-5640-D

A	ADDED ORIENTATION VIEW	9/09	3356	FINK
SYM	REVISION	DATE	CAR#	INIT.