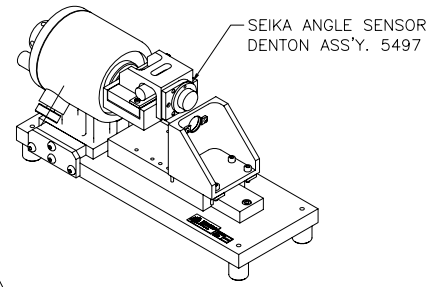
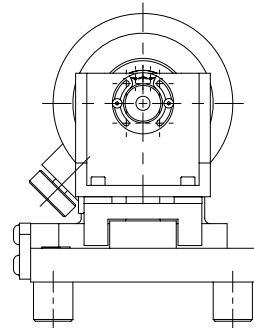
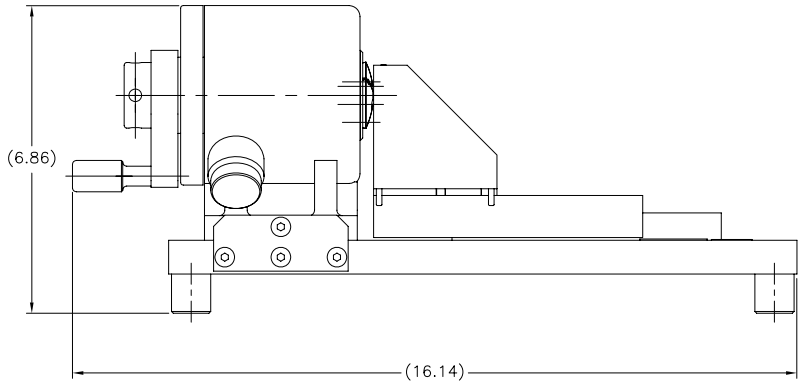
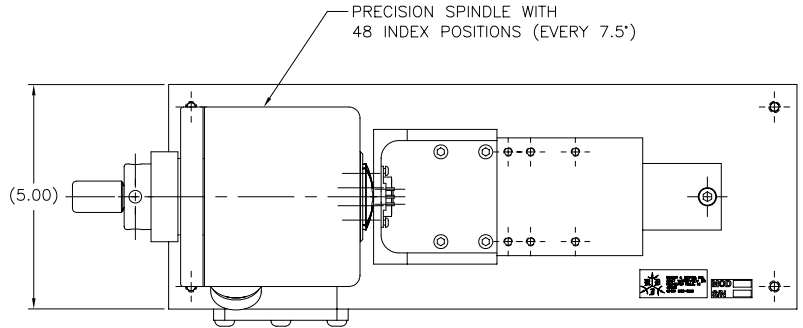
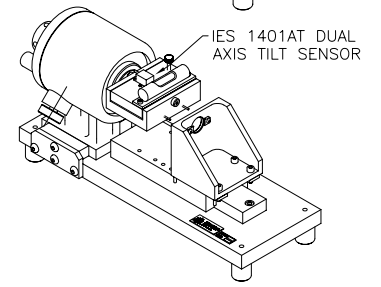
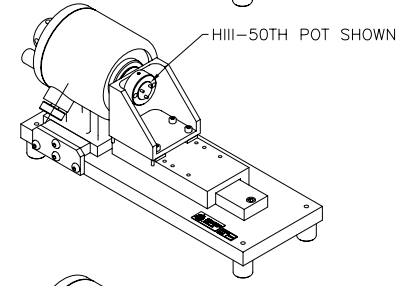
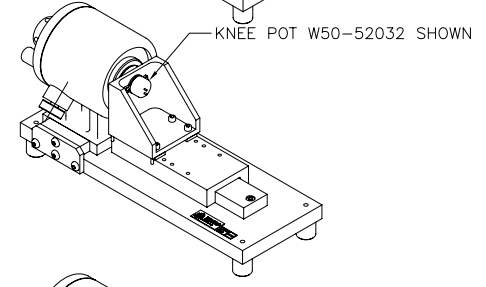
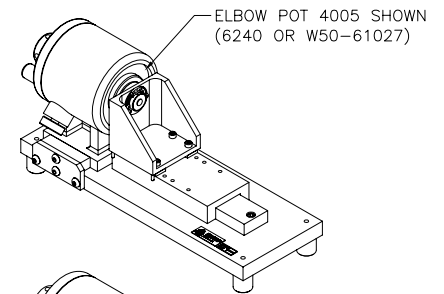


	DESCRIPTION/PART NUMBER	STD/OPT	KIT No.	COLLET NUMBER (SIZE)	SCREWS	ADAPTER
(B)	ELBOW POT 4005, 6240, W50-61027 OR	OPTIONAL	7338	6799 (.400 SQUARE)	(2) #4-40 X 1/4 LG. BHCS	(2) 3775-4 FOR W50-52032
(D)	W50-52032 USED ON 5TH/SID-ILS/WSID					
(E)						
	WRIST POT 4493 (INSTRUMENTED ARM 5TH/SID-ILS)	OPTIONAL	6811	6798 (.375 SQUARE)	(2) #8-32 X 1/4 SOFT PT SSS (2) #4-40 X 1/4 LG. SHCS	(1) 6826
	HIII-5TH, 50TH, 95TH CHEST POT ONLY (WITH ARM MUST BE CAL. IN FIXT. MODEL 5245)	OPTIONAL	6812	6804 (.250 DIA. HOLE)	(2) #8-32 X 1/4 SOFT PT SSS (2) #4-40 X 1/4 LG. SHCS	(1) 6827
	EUROSID NECK CAL. POT	OPTIONAL	6813	6803 (.125 DIA. HOLE)	(2) #4-40 X 1/4 LG. BHCS (2) #4-40 X 3/16 LG. SHCS	(2) 3775-4, (1) 5654-1
	WORLD SID ANKLE POT W50-54012 "X" AXIS ONLY	OPTIONAL	6814	6803 (.125 DIA. HOLE)	(2) #8-32 X 1/4 SOFT PT SSS (2) #4-40 X 1/4 LG. SHCS	(1) 6828
	WORLD SID ANKLE POT W50-54051&2 "Y" & "Z" AXIS ONLY	OPTIONAL	6814	6818 (.315 SQUARE)	(2) #8-32 X 1/4 SOFT PT SSS (2) #4-40 X 1/4 LG. SHCS	(1) 6828
	THOR-LX ANKLE POT PD210	OPTIONAL	6815	6819 (.098 DIA. HOLE)	(1) #8-32 X 1/4 SOFT PT SSS (2) #4-40 X 1/4 LG. BHCS	(1) 6344, (1) 6345
(A)	IES 1401 DUAL AXIS TILT SENSOR	OPTIONAL	7352	6804 (.250 DIA. HOLE)	N/A	(1) 7215
(F)	DENTON ANGLE ASS'Y 5497 USE WITH KIT 7352 (DUAL AXIS TILT)	OPTIONAL	7812	REF. (.250 DIA. HOLE)	(4) M2x0.4 X 8 LG. SHCS	(1) 7811



F	KIT 7812 ADDED	4/07	XXXX	TORCH
E	KIT 7339 OBSOLETE	3/06	XXXX	TORCH
D	W50-52032 ADDED TO KIT 7338	3/06	XXXX	TORCH
C	4005 POT OBSOLETE	2/06	1896	FINK
B	POT 6240 ADDED	2/06	XXXX	TORCH
A	ADD TILT SENSOR	2/06	XXXX	M.C.F.
SYM	REVISION	DATE	CAR#	INIT.

POT CALIBRATION FIXTURE		
SCALE: 1/2 : 1	SHEET 1 OF 1	DRWN BY: TORCHALA
DATE: 5/9/05	MODEL: 6790	
<small>UNLESS OTHERWISE SPECIFIED            TWO PLACE DECIMALS ± 0.010 SURFACE FINISH 125 ✓            THREE PLACE DECIMALS ± 0.005 REMOVE ALL BURRS &amp; SHARP EDGES            ANGLES ± 0° 30' DIMENSION LIMITS HELD AFTER PLATING</small>		
<b>ROBERT A. DENTON, INC.</b> ROCHESTER HILLS, MICHIGAN		DRAWING NUMBER: C-6790-D