

MODEL 1846 FOR ENDEVCO  
7264-2000 OR 7264C-2000  
MODEL 3623 FOR ENDEVCO  
7264A-2000 OR 7264B-2000  
ACCELEROMETER HEAD  
MOUNT SYSTEM

MODEL 3043  
ACETABULUM LOAD CELL  
CALIBRATION FIXTURE MODEL 3047

MODEL 2257  
PUBIC LOAD CELL  
CALIBRATION FIXTURE MODEL 2291

MODEL 3091  
UPPER FEMUR LOAD CELL  
CALIBRATION FIXTURE MODEL 3413

MODEL 1914  
FEMUR LOAD CELL  
CALIBRATION FIXTURE MODEL 1957

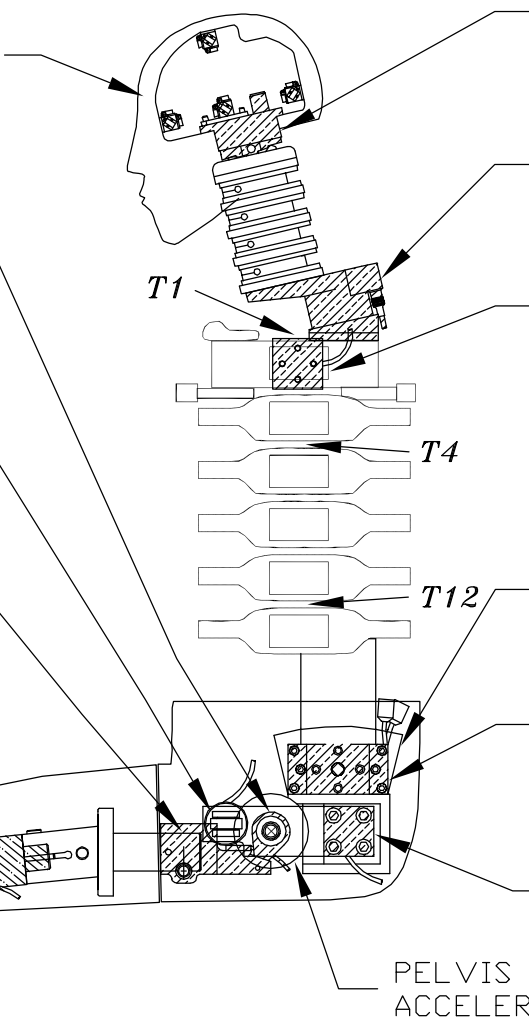
MODEL 1587  
KNEE CLEVIS LOAD CELL  
CALIBRATION FIXTURE MODEL 1861

MODEL 3259  
UPPER TIBIA LOAD CELL  
CALIBRATION FIXTURE MODEL 2171

MODEL 3114  
LOWER TIBIA LOAD CELL  
CALIBRATION FIXTURE  
MODEL 2171

INSTRUMENTED  
LOWER LEG  
OPTIONS

MODEL 2932  
FOOT/ANKLE LOAD CELL  
CALIBRATION FIXTURE MODEL 3301



MODEL 1716  
UPPER NECK LOAD CELL  
CALIBRATION FIXTURE MODEL 1860

MODEL 1794 OR 2992  
LOWER NECK LOAD CELL  
CALIBRATION FIXTURE MODEL 1920  
CALIBRATION FIXTURE MODEL 3286

MODEL 2255  
SHOULDER LOAD CELL  
CALIBRATION FIXTURE MODEL 2294

MODEL 2258  
ILIAC LOAD CELL  
CALIBRATION FIXTURE MODEL 2293

MODEL 2254 OR 2586  
LUMBAR LOAD CELL  
CALIBRATION FIXTURE MODEL 2295

MODEL 2256  
SACRUM LOAD CELL  
CALIBRATION FIXTURE MODEL 2292

PELVIS  
ACCELEROMETERS

# BIOSID INSTRUMENTATION

SCALE: NONE	DRAWN BY: R. DUPONT
DATE: 19FEB99	MODEL: BIOSID

UNLESS OTHERWISE SPECIFIED  
 TWO PLACE DECIMALS ± .010 SURFACE FINISH 125 ✓  
 THREE PLACE DECIMALS ± .005 REMOVE ALL BURRS & SHARP EDGES  
 ANGLES ± 0° 30' DIMENSION LIMITS HELD AFTER PLATING



**ROBERT A. DENTON, INC.**  
ROCHESTER HILLS, MICHIGAN

DRAWING NUMBER:  
**BIOSID**

SYM	REVISION	DATE
-----	----------	------