

MODEL J4085  
UPPER NECK LOAD CELL  
CALIBRATION FIXTURE MODEL 4316

MODEL 3300  
LOWER NECK LOAD CELL  
CALIBRATION FIXTURE MODEL 3527

MODEL 3795  
BACKPLATE LOAD CELL  
CALIBRATION FIXTURE MODEL 4053

MODEL 3155  
SHOULDER LOAD CELL  
CALIBRATION FIXTURE MODEL 3225

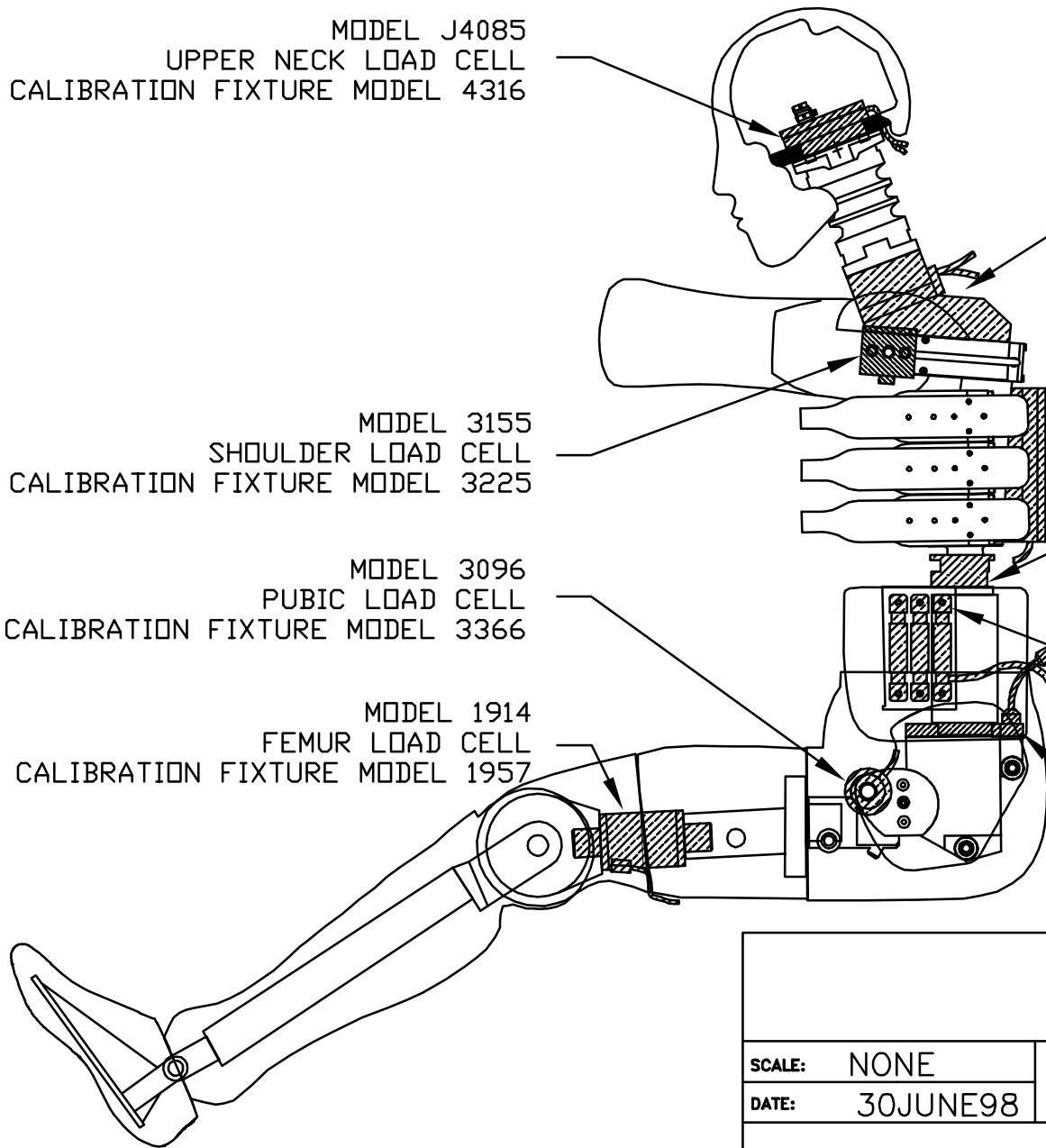
MODEL 4284  
T-12 LOAD CELL  
CALIBRATION FIXTURE MODEL 4620

MODEL 3096  
PUBIC LOAD CELL  
CALIBRATION FIXTURE MODEL 3366

MODEL 2631  
ABDOMINAL LOAD CELL  
(3-PER DUMMY)  
CALIBRATION FIXTURE MODEL 2858

MODEL 1914  
FEMUR LOAD CELL  
CALIBRATION FIXTURE MODEL 1957

MODEL 2890/3290  
LUMBAR LOAD CELL  
CALIBRATION FIXTURE MODEL 3184



EUROSID

SCALE: NONE

DRAWN BY: rdupont

DATE: 30JUNE98

MODEL:

TWO PLACE DECIMALS ± .010  
THREE PLACE DECIMALS ± .005  
ANGLES ± 0' 30'

UNLESS OTHERWISE SPECIFIED  
SURFACE FINISH 125 ✓  
REMOVE ALL BURRS & SHARP EDGES  
DIMENSION LIMITS HELD AFTER PLATING



ROBERT A. DENTON, INC.

ROCHESTER HILLS, MICHIGAN

DRAWING NUMBER:

ES-1